

REVOLTA

Nahtrang Studio

^(ENG) Open circles sketched in the air, or frames for fabric panels to soften sound. Pendant cylinders have aluminium heads and acrylic diffusers. Create your own custom suspension light combining them individually or with our selection of canopies. ^(ESP) Icónicos círculos dibujan en el aire distintos conjuntos que se llenan de color con paneles tapizados para atenuar el sonido. Pantallas de aluminio con difusores de metacrilato. Crea tu propio diseño combinando suspensiones de forma independiente o con nuestra selección de sujeciones múltiples.







41 / Hotel Grand Koper by AKSL-ArHITEKTI 42 / Boutique experience @flavorchempcorp by GMA Architects 44 / Private residence by @traum.ideen.raum.gaben 45 / Private penthouse by @studio_erez_hyatt





T-3635-W

LED 6,2W
(2700K / Ang. 45°
>90 CRI / 350mA) 230V
Typ* 725 lumens
Dimmable Triac

Finishes

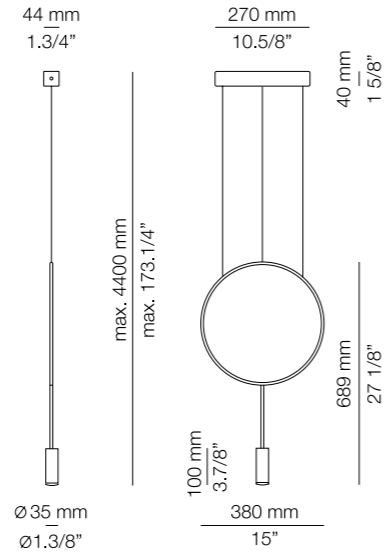
- 26 BLK (Body)
- 26 BLK (Head)
- 61 S GLD (Head)

T-3635-M

LED 6,2W
(3000K / Ang. 45°
>90 CRI / 350mA) 230V
Typ* 763 lumens
Dimmable Triac

Finishes

- 26 BLK (Body)
- 26 BLK (Head)
- 61 S GLD (Head)



T-3636-W

LED 2x6,2W
(2700K / Ang. 45°
>90 CRI / 350mA) 230V
Typ* 2x725 lumens
Dimmable Triac

Finishes

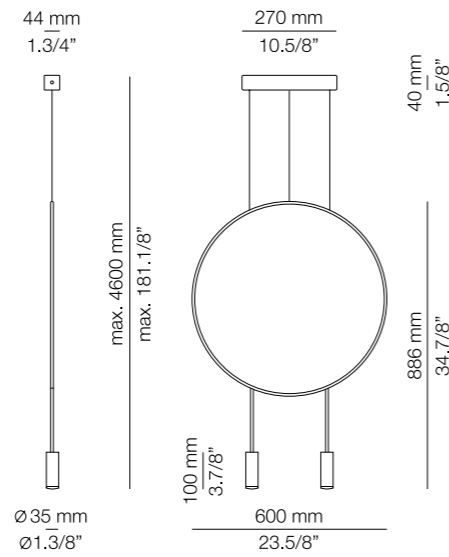
- 26 BLK (Body)
- 26 BLK (Head)
- 61 S GLD (Head)

T-3636-M

LED 2x6,2W
(3000K / Ang. 45°
>90 CRI / 350mA) 230V
Typ* 2x763 lumens
Dimmable Triac

Finishes

- 26 BLK (Body)
- 26 BLK (Head)
- 61 S GLD (Head)



46 / Private residence by @TaylorPresslyArchitects

Additional

15° angle optic lens conversion kit.
We offer custom finishes, sizes,
and alternate lamping for projects.

Photographs may show non-standard products.



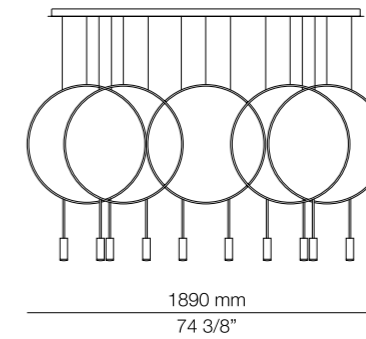
Recessed option

Recessed canopy
with remote driver

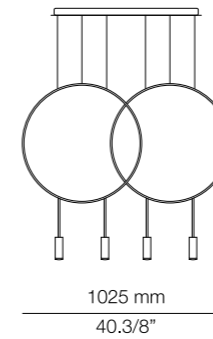


LINEAR CANOPY

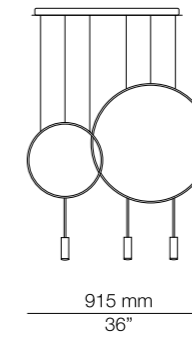
REVOLTA L165.5D



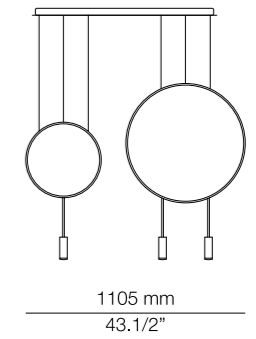
REVOLTA L73.2D



REVOLTA L73.1S1D

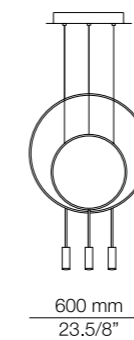


REVOLTA L92.1S1D

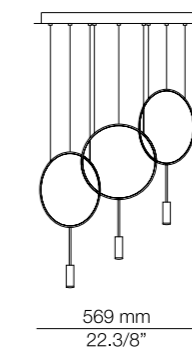


ROUND CANOPY

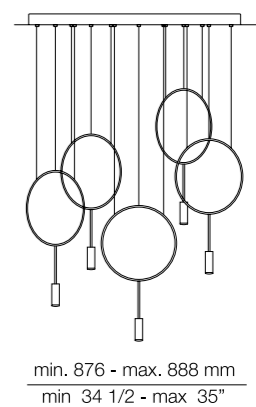
REVOLTA R40.1S1D



REVOLTA R70.3S



REVOLTA R100.5S





Finish Acoustic panel

Fabric

- 82 BL Blue
- 83 EGP Eggplant
- 84 SLM Salmon

$\alpha=0.4$

P.E.T. felt

- 26 BLK Black

$\alpha=0.25$



Additional

Sound absorbing panels without light are available upon request. We offer custom finishes and sizes. Photographs may show non-standard products.

CE ⚡ IP 20 650°

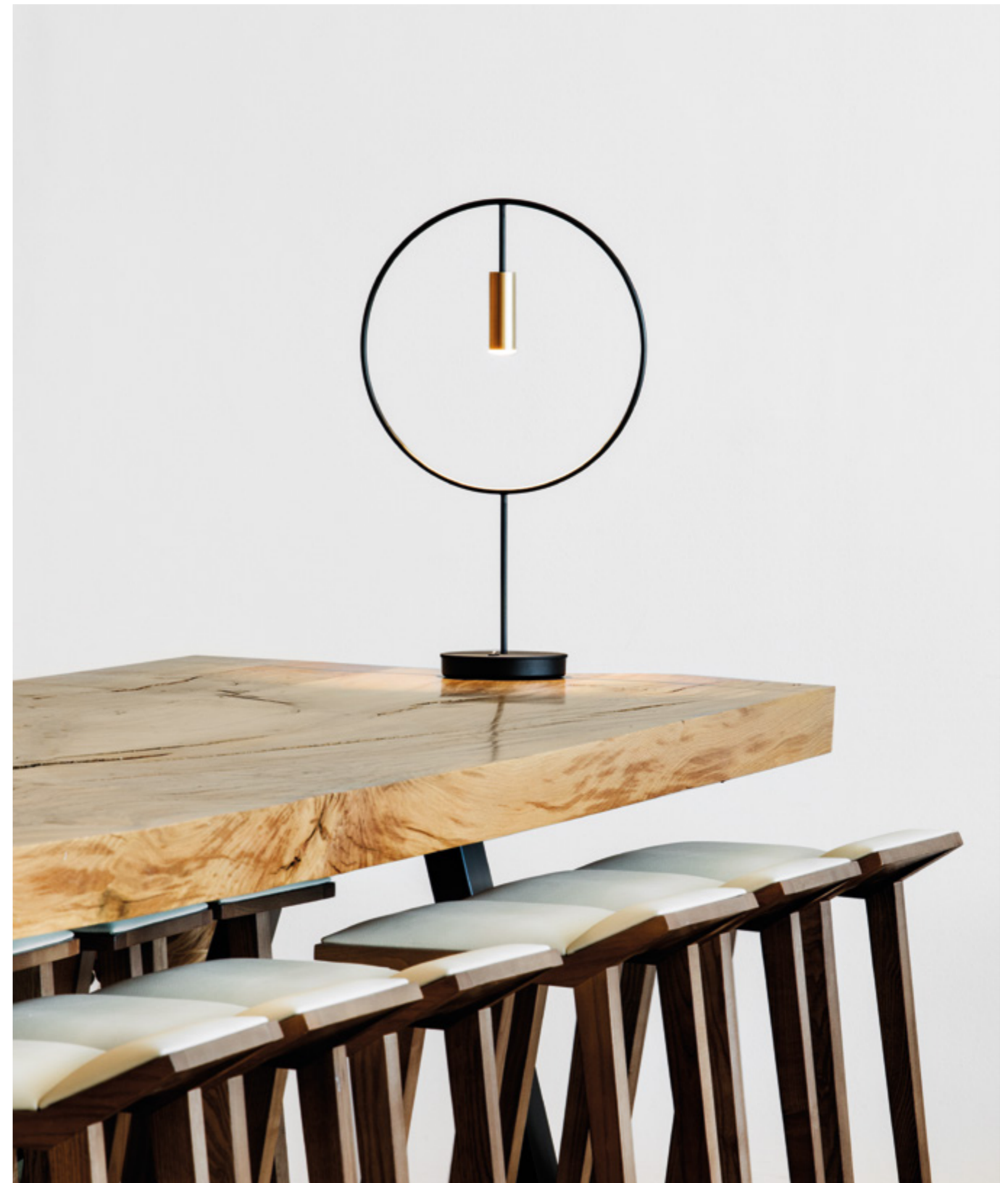
^(ENG) Revolta offers a unique and decorative solution to soften room noise with fabric-covered acoustic panels or recycled P.E.T. felt panels. Revolta can also be used to divide large spaces into discrete areas. ^(ESP) Revolta ofrece una solución única y decorativa para atenuar el ruido de una estancia gracias a sus paneles acústicos forrados de espuma y tejido o P.E.T. reciclado que absorben el sonido. Además, se puede utilizar para dividir grandes espacios en zonas más íntimas.







52 / Mix Use Spear Street by @sssginteriors 54 / Hotel Casa Vincke 55 / Hotel Atenea Mar by @carlesgrauches.interiors



(ENG) Sculpture that illuminates: Revolta stands alone on table or desk.
(ESP) La lámpada de sobremesa Revolta impacta por su carácter escultural, decorando una mesa, barra o mueble bufet.



Amgen offices by @amararchitects_



M-3637-W

LED 6,2W
(2700K / Ang. 45° / >90 CRI
350mA) 100V - 240V
Typ* 725 lumens
Sensor Dimmer
Universal plug

Finishes

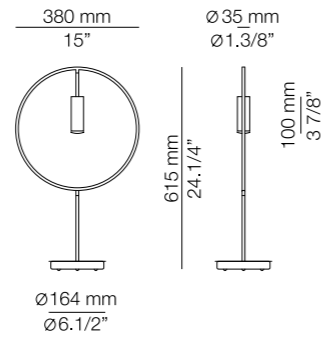
- 26 BLK (Body)
- 26 BLK (Head)
- 61 S GLD (Head)

M-3637-M

LED 6,2W
(3000K / Ang. 45° / >90 CRI
350mA) 100V - 240V
Typ* 763 lumens
Sensor Dimmer
Universal plug

Finishes

- 26 BLK (Body)
- 26 BLK (Head)
- 61 S GLD (Head)



A-3630-W

LED 6,2W
(2700K / Ang. 45° / >90 CRI
350mA) 100V - 240V
Typ* 725 lumens
Non Dimmable

Finishes

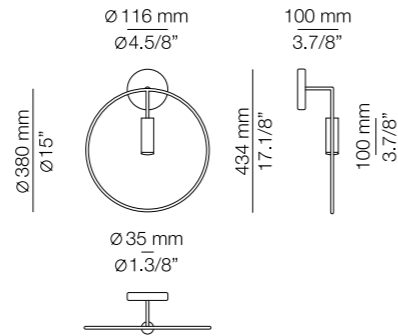
- 26 BLK (Body)
- 26 BLK (Head)
- 61 S GLD (Head)

A-3630-M

LED 6,2W
(3000K / Ang. 45° / >90 CRI
350mA) 100V - 240V
Typ* 763 lumens
Non Dimmable

Finishes

- 26 BLK (Body)
- 26 BLK (Head)
- 61 S GLD (Head)



Hotel Casa Vincke



Additional

15° angle optic lens conversion kit.
We offer custom finishes, sizes,
and alternate lamping for projects.

Photographs may show non-standard products.

